

K 2 Horizontal

English
العربية

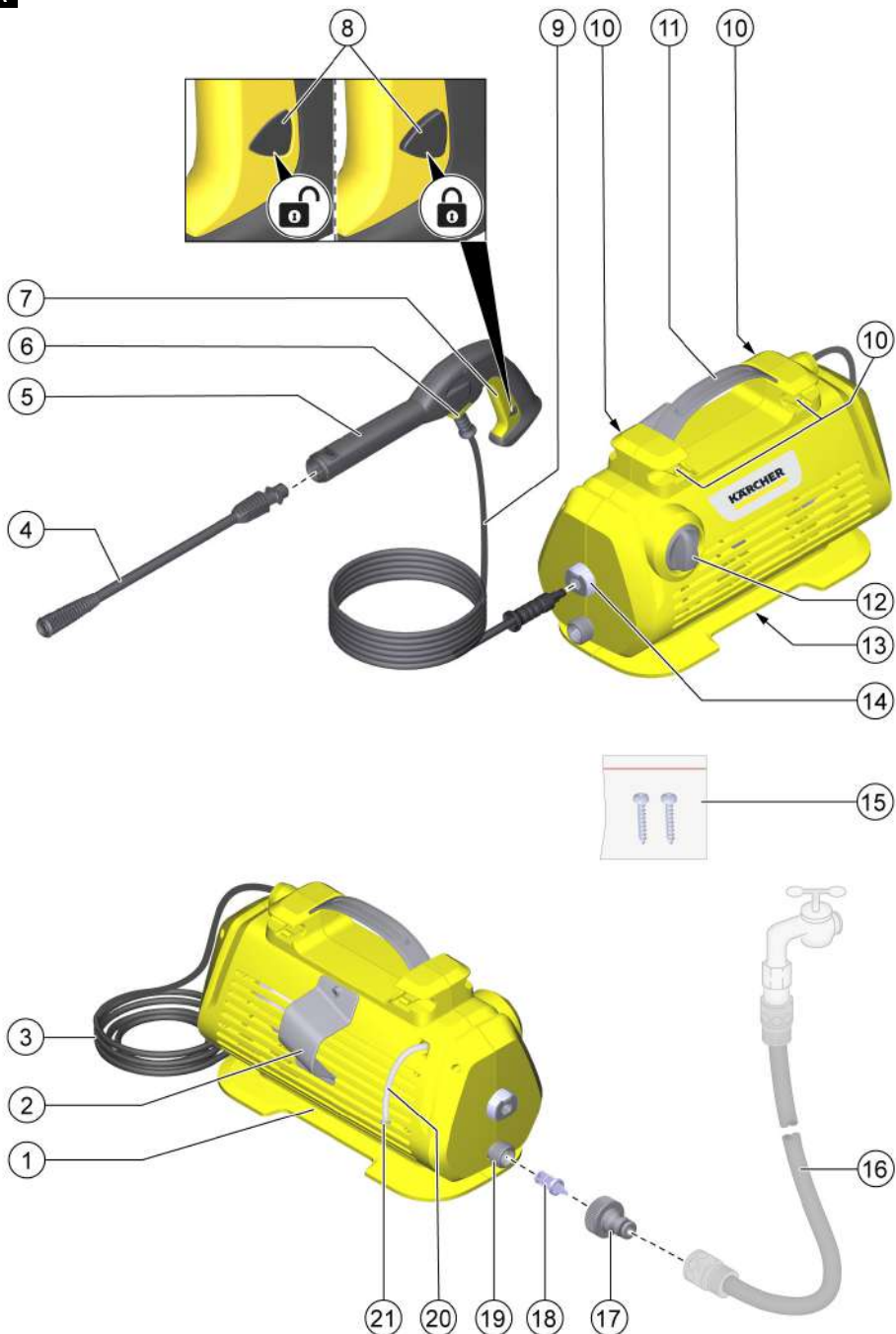
5
11

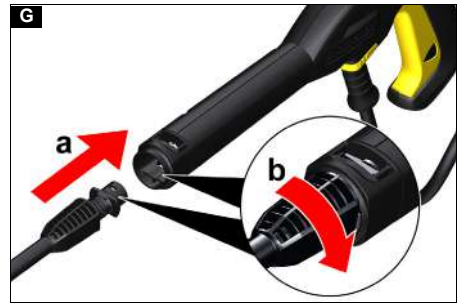
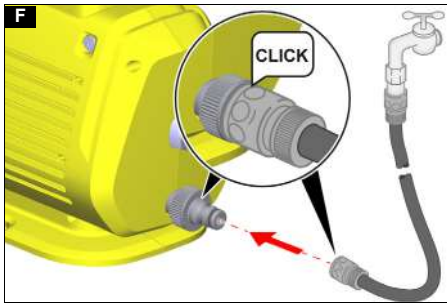
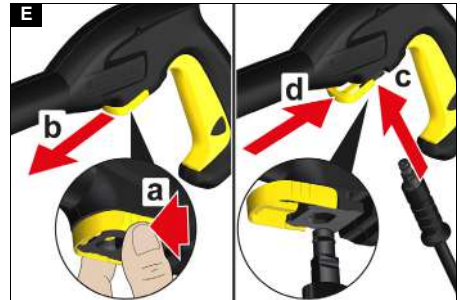
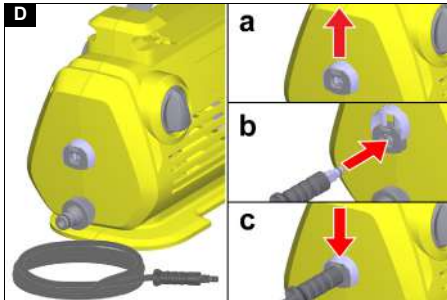
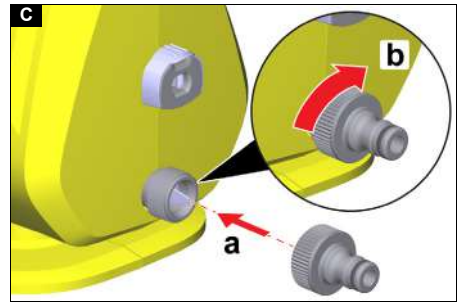
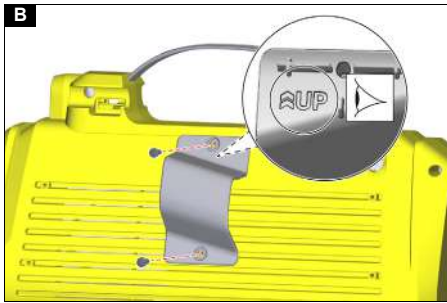


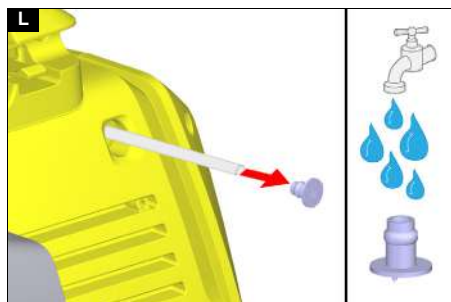
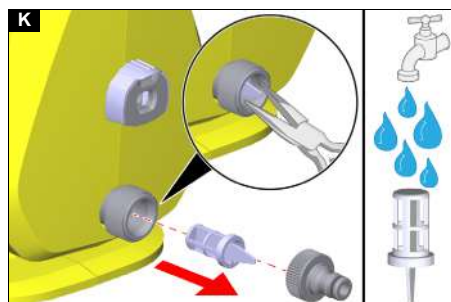
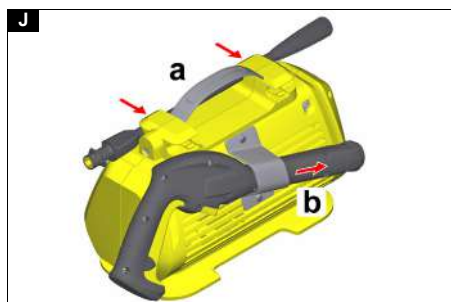
**Register
your product**
www.kaercher.com/welcome



59801620 (08/23)

A





Contents

Safety instructions	5
Safety devices	6
Symbols on the device	6
Environmental protection	6
Intended use	6
Accessories and spare parts	6
Scope of delivery	7
Description of the device	7
Installation	7
Initial startup	7
Operation	7
Transport	8
Storage	8
Care and service	8
Troubleshooting guide	9
Warranty	9
Technical data	9
Declaration of Conformity	10

Safety instructions



Read this safety chapter and these original instructions before using the device for the first time. Act in accordance with

them. Keep the original instructions for future reference or for future owners.

- In addition to the notes in the operating instructions, you also need to take into consideration the general safety regulations and accident prevention guidelines applicable by law.
- Warnings and information notices attached to the device provide important information for hazard-free operation.

Hazard levels

⚠ DANGER

- Indication of an imminent threat of danger that will lead to severe injuries or even death.

⚠ WARNING

- Indication of a potentially dangerous situation that may lead to severe injuries or even death.

⚠ CAUTION

- Indication of a potentially dangerous situation that may lead to minor injuries.

ATTENTION

- Indication of a potentially dangerous situation that may lead to damage to property.

Operation

⚠ DANGER • Operation in explosive atmospheres is prohibited. • Never suction solvents, liquids containing solvents or undiluted acids. This includes e.g. petrol, paint thinner or heating oil. The spray mist is highly flammable, explosive and poisonous. • Damaged wheels / tyre valves are extremely dangerous. Damaged wheels / tyre valves can be damaged by the high-pressure jet and explode. The first sign of this is discolouration of the tyres. Keep a spray distance of at least 30 cm when cleaning the wheels / tyre valves.

⚠ WARNING • Do not use the device if people without the proper protective clothing are in its reach. • Do not aim the high-pressure jet at yourself, e.g. to clean clothes or shoes. • Do not direct the high-pres-

sure jet at persons, animals, live electrical equipment or at the device itself. • Do not spray any objects which contain harmful substances (e.g. asbestos). • Check the device and the accessories, such as the high-pressure hose, high-pressure gun and safety devices, to make sure they are in proper safe and reliable condition before each operation. Do not use the device if it is damaged. Replace damaged components immediately. • Only use high-pressure hoses, control panels and couplings specified by the manufacturer. • Risk of scalding. When disconnecting the supply or high-pressure hose, hot water can leak out of the connections after operation.

⚠ CAUTION • According to the applicable regulations, the appliance may never be used with the drinking water network without a system separator. Ensure that the connection to your house water system, with which the high-pressure cleaner is operated, is equipped with a system separator according to EN 12729 type BA. • Water that has flowed through a system separator is no longer classified as drinkable. • Never leave the device unsupervised while it is in operation. • Recoil force from the water stream emerging at the high-pressure nozzle acts on the high-pressure gun. Keep proper footing and hold the high-pressure gun and spray lance firmly. • Accidents or damage due to the device falling over. Before all actions with or on the device, you must make sure that it is stable.

ATTENTION • Do not operate the device at temperatures below 0 °C.

Protective gear

⚠ CAUTION • Wear suitable protective clothing and safety goggles to protect yourself from water or dirt backsplash. • Aerosols can be formed when using high-pressure cleaners. Inhaling aerosols can be harmful for your health. Depending on the application, the use of fully shielded nozzles (e.g. surface cleaners) can significantly lower the emission of aqueous aerosols. Depending on the environment to be cleaned, wear a suitable respiratory protective mask of class FFP 2 or comparable to protect yourself from inhaling aerosols if the use of a fully shielded nozzle is not possible.

Risk of electric shock

⚠ DANGER • Only connect protection class I devices to properly earthed power sources. • Only connect the device to alternating current. The voltage indicated on the type plate must match the voltage of the power source. • Only operate the device via a fault current protection switch (maximum 30 mA). • Never touch the mains plug and socket with wet hands. • The mains plug and coupling of the extension cable must be water tight and may not be placed in water. The coupling may not be on the floor. Use cable drums to ensure that the sockets are at least 60 mm above the floor. • All live parts in the work area must be protected against water jets.

⚠ WARNING • Only connect the device to an electrical connection which has been set up by a qualified electrician as per IEC 60364-1. • Check that the mains connection cable with mains plug is undamaged each time before using the device. To avoid any possible danger, a damaged mains connection cable must be immediately replaced by the manufacturer, or the authorised customer service department or a qualified

electrician. • Do not damage the power supply and extension cable by running over it, crushing or yanking it or similar. Protect the power supply cable from heat, oil and sharp edges. • Unsuitable electrical extension cables are dangerous. Only use approved and appropriately marked electrical extension cables with a sufficient line cross section when outdoors: 1-10 m : 1.5 mm², 10-30 m : 2.5 mm²

⚠ CAUTION • Always fully unwind the extension cable from the cable drum. • In case of longer breaks in operation and after use, switch off the device at the main switch / device switch and pull the mains plug.

Operation with detergent

⚠ WARNING • Incorrect use of detergents can cause serious injuries or poisoning.

⚠ CAUTION • Keep the detergent out of the reach of children. • Only use the detergents supplied or specified by the manufacturer. The use of other detergents or chemicals can impair the safety of the device.

Care and service

⚠ WARNING • Always pull out the mains plug before all care and maintenance work.

⚠ CAUTION • Have repair work and work on electrical components carried out by the authorised customer service only.

ATTENTION • Do not use acetone, undiluted acids or solvents, as they corrode the materials used on the device.

Transportation

⚠ CAUTION

• Risk of accidents and injuries. Take into account the weight of the device for transportation and storage. See chapter Technical data in the operating instructions.

General safety instructions

⚠ DANGER • Risk of asphyxiation. Keep packaging film out of the reach of children.

⚠ WARNING • Only use the device for its proper use. Take into account the local conditions and beware of third parties, in particular children, when working with the device. • Persons with reduced physical, sensory or mental capabilities and persons lacking experience and knowledge may only use the appliance if they are properly supervised, have been instructed on use of the appliance safely by a person responsible for their safety, and understand the resultant hazards involved. • Children must not operate the device. • Children must be supervised to prevent them from playing with the appliance.

⚠ CAUTION • Safety devices are provided for your own protection. Never modify or bypass safety devices.

Safety devices

⚠ CAUTION

Missing or modified safety devices!

Safety devices are provided for your own protection. Do not bypass, remove or render ineffective any safety devices.

Power switch

The power switch prevents unintentional operation of the device.

High-pressure gun lock

The lock locks the lever of the high-pressure gun and prevents the device from starting unintentionally.

Auto-stop function

If the lever of the high-pressure gun is released, the pressure switch turns off the pump and the high-pressure jet stops. The pump switches on again when the lever is pressed.

Symbols on the device



Do not aim the high-pressure jet may at persons, animals, live electrical equipment or the device itself.

Protect the device against frost.



The device may not be connected to the public drinking water network.

Environmental protection



The packing materials can be recycled. Please dispose of packaging in accordance with the environmental regulations.



Electrical and electronic devices contain valuable, recyclable materials and often components such as batteries, rechargeable batteries or oil, which - if handled or disposed of incorrectly - can pose a potential danger to human health and the environment. However, these components are required for the correct operation of the device. Devices marked by this symbol are not allowed to be disposed of together with the household rubbish.



Cleaning work producing in oily waste water, e.g. washing engines, washing undercarriages etc., may only be performed at washing stations with an oil separator.



Working with detergents may only be performed on watertight surfaces with connection to the waste water sewage system. Do not allow detergent to enter waterways or the soil.

Notes on the content materials (REACH)

Current information on content materials can be found at: www.kaercher.de/REACH

Intended use

Use the high-pressure cleaner in private households only.

The high-pressure cleaner is intended for cleaning machines, vehicles, buildings, tools, façades, terraces, garden machines etc. using a high-pressure water jet.

Accessories and spare parts

Only use original accessories and original spare parts. They ensure that the appliance will run fault-free and safely.

Information on accessories and spare parts can be found at www.kaercher.com.

Scope of delivery

The scope of delivery for the appliance is shown on the packaging. Check the contents for completeness when unpacking. If any accessories are missing or in the event of any shipping damage, please notify your dealer.

Description of the device

For the illustrations, refer to the graphics page
Illustration A

- ① Storage for the mains connection cable
- ② Storage for the high-pressure gun
- ③ Mains connection cable with mains plug
- ④ Spray lance with high-pressure nozzle for normal cleaning tasks
- ⑤ High-pressure gun
- ⑥ Clamp for separating the high-pressure hose from the high-pressure gun
- ⑦ High-pressure gun lever
- ⑧ High-pressure gun lock
- ⑨ High-pressure hose
- ⑩ Storage for the spray lance
- ⑪ Transport handle
- ⑫ Trigger "0/OFF" / "I/ON"
- ⑬ Type plate
- ⑭ Quick coupling for the high-pressure connection
- ⑮ Screws
- ⑯ *Garden hose (fabric reinforced, diameter at least 1/2 inch (13 mm), length at least 7.5 m, with commercially available quick coupling)
- ⑰ Water connection coupling
- ⑱ Sieve
- ⑲ Water connection
- ⑳ Suction hose for detergent
- ㉑ Detergent filter

* additionally required

Installation

For the illustrations, refer to the graphics page.
Fit the supplied loose parts onto the device before starting up the device.

Have the included screws and the appropriate screwdriver ready.

Mounting the storage option for the high-pressure gun

1. Attach the storage for the high-pressure gun to the device with the two screws.

Illustration B

Installing the water connection coupling

1. Screw the water connection coupling onto the water connection on the device.

Illustration C

Initial startup

1. Place the device on a flat and level surface.
2. Unwind the high-pressure hose and eliminate any loops and twists.
3. Connect the high-pressure hose to the device.
 - a Pull up the clamp on the coupling.
 - b Insert the high-pressure hose into the coupling.
 - c Press down the clamp on the coupling.

Illustration D

4. Connect the high-pressure hose to the high-pressure gun.
 - a Squeeze the clamp.
 - b Pull out the clamp.
 - c Insert the high-pressure hose.
 - d Press the clamp in until it latches into place.

Illustration E

5. Check for a secure connection by pulling on the high-pressure hose.
6. Plug the mains plug into a mains socket.

Water supply

For the connection values, see the type plate or chapter *Technical data*.

Observe the water distribution company regulations.

ATTENTION

Damage through contaminated water

Contamination in the water can damage the pump and the accessories.

KÄRCHER recommends using the KÄRCHER water filter for protection (special accessory, order number 4.730-059).

Connection to the water line

ATTENTION

Hose coupling with Aquastop on the water connection of the device

Damage to the pump

Never use a hose coupling with Aquastop on the water connection of the device.

You can use an Aquastop coupling on the tap.

1. Plug the garden hose onto the water connection coupling.
2. Connect the garden hose to the water line.

Illustration F

3. Open the water tap fully.

Operation

ATTENTION

Pump running dry

Damage to the device

If pressure does not build up in the device after 2 minutes then switch the device off and proceed according to the instructions in chapter Troubleshooting guide.

ATTENTION

Failure to adhere to the correct device position

Damage to the pump

Operate the device in a horizontal position only.

High-pressure operation

ATTENTION

Damage to painted or sensitive surfaces

Surfaces can be damaged when the jet is too close to the surface or an unsuitable spray lance is used.

Maintain a minimum spray distance of 30 cm when cleaning painted surfaces.

Do not clean car tyres, paint or sensitive surfaces such as wood with the dirt blaster.

1. Insert a spray lance into the high-pressure gun and lock it by turning it 90°.

Illustration G

2. Switch the device on ("I/ON").
3. Unlock the lever of the high-pressure gun.
4. Press the lever of the high-pressure gun. The device switches on.

Operation with detergent

⚠ DANGER

Failure to adhere to the safety data sheet

Incorrect handling of the detergent can seriously damage your health

Observe the safety data sheet of the detergent manufacturer, in particular the instructions on personal protective equipment.

Note

KÄRCHER detergents ensure fault-free operation. Ask us for a consultation, request our catalogue or our detergent information sheets.

Note

Detergent can only be mixed into the jet at low pressure.

1. Pull the desired length of the detergent suction hose out of the casing.

Illustration H

2. Hang the detergent suction hose in a container with detergent solution.
3. Disconnect the spray lance from the high-pressure gun and work using the high-pressure gun only. The detergent solution is mixed with the water jet during operation.

Recommended cleaning method

1. Spray the detergent sparingly on the dry surface and let it work for a while (do not let it dry).
2. Rinse off the loosened dirt with the high-pressure jet.

After operation with detergent

1. Flush the device with clear water for approx. 30 seconds.

Interrupting operation

1. Release the lever of the high-pressure gun. The device switches off when the lever is released. The high pressure in the system is retained.
2. Lock the lever of the high-pressure gun.

Illustration I

3. Switch the device off "0/OFF" during work breaks longer than 5 minutes.

Ending operation

⚠ CAUTION

Pressure in the system

Injuries from high-pressure water escaping uncontrollably

Only disconnect the high-pressure hose from the high-pressure gun or the device when the system is fully depressurised.

1. Release the lever of the high-pressure gun.
2. Close the water tap.
3. Press the lever of the high-pressure gun for 30 seconds.

The pressure remaining in the system is discharged.

4. Release the lever of the high-pressure gun.
5. Lock the lever of the high-pressure gun.
6. Disconnect the device from the water supply.

7. Switch off the device "0/OFF".
8. Pull the mains plug out of the socket.

Transport

⚠ CAUTION

Failure to observe the weight

Risk of injury and damage

Be aware of the weight of the device during transportation.

Carrying the device

1. Lift up the device by the carrying handle, and carry it.

Transporting the device in a vehicle

1. Secure the device against slipping and tipping over.

Storage

⚠ CAUTION

Failure to observe the weight

Risk of injury and damage

Be aware of the weight of the device during storage.

Storing the device

1. Wind up the mains connection cable at the storage for the mains connection cable.
2. Place the device on a level surface.
3. Disconnect the high-pressure hose from the high-pressure gun.
4. Disconnect the spray lance from the high-pressure gun.
5. Stow the accessories on the device:
 - a Snap the spray lance with the high-pressure nozzle into the storage for the spray lances.
 - b Push the high-pressure gun into the high-pressure gun storage compartment.

Illustration J

6. Disconnect the high-pressure hose from the device. Observe the additional notes before storing the device for a longer period of time, see chapter *Care and service*.

Frost protection

ATTENTION

Danger of frost

Incompletely emptied devices can be destroyed by frost.

Completely empty the device and accessories.

Protect the device from frost.

The following requirements must be satisfied:

- The device is disconnected from the water supply.
 - The high-pressure hose is removed.
1. Switch the device on "I/ON".
 2. Wait for a maximum of 1 minute until no more water escapes from the high-pressure connection.
 3. Switch off the device.
 4. Store the device in a frost-protected room, together with all accessories.

Care and service

⚠ DANGER

Danger of electric shock

Injuries due to touching live parts

Switch off the device.

Remove the mains plug.

The device is maintenance-free, i.e. you do not need to perform any maintenance work.

Clean the sieve in the water connection

ATTENTION

Damaged sieve in the water connection

Damage to the device through contaminated water
Check the sieve for damage before inserting it in the water connection.

If necessary, clean the sieve in the water connection.

1. Remove the water connection coupling.
2. Pull the sieve out.
3. Clean the sieve under running water.

Illustration K

4. Insert the sieve into the water connection.

Clean the detergent filter

Clean the detergent filter before longer periods of storage.

1. Pull the filter off the detergent suction hose.
2. Clean the filter under running water.

Illustration L

Troubleshooting guide

Malfunctions often have simple causes that you can remedy yourself using the following overview. When in doubt, or in the case of malfunctions not mentioned here, please contact your authorised Customer Service.

⚠ DANGER

Danger of electric shock

Injuries due to touching live parts

Switch off the device.

Remove the mains plug.

Device not running

1. Press the lever of the high-pressure gun.
The device switches on.
2. Check that the voltage specified on the type plate corresponds to the voltage of the power source.
3. Check the mains connection cable for damage.

Device does not reach required pressure

The water supply is too low.

1. Open the water tap fully.
2. Check the water inlet for an adequate flow rate.
3. Check the setting at the spray lance.
4. Check that the maximum suction height is not exceeded.

The sieve in the water connection is dirty.

1. Pull the sieve in the water connection out using flat pliers.
2. Clean the sieve under running water.

Illustration K

Air is in the device.

1. Vent the device:
 - a Switch on the device without a connected spray lance for a maximum of 2 minutes.
 - b Press the high-pressure gun and wait until the water escaping from the high-pressure gun is free of air bubbles.
 - c Connect the spray lance.

Strong pressure fluctuations

1. Clean the high-pressure nozzle:
 - a Use a needle to remove dirt from the nozzle drill.
 - b Rinse the high-pressure nozzle from the front with water.
2. Check the water supply volume.

Device leaking

1. The device leaks a small amount for technical reasons. If the leak is severe, request authorised Customer Service.

Detergent is not sucked in

1. Disconnect the spray lance from the high-pressure gun and work using the high-pressure gun only.
2. Clean the filter on the detergent suction hose.
3. Check the detergent suction hose for kinks.


Warranty

The warranty conditions issued by our sales company responsible apply in all countries. We shall remedy possible malfunctions on your device within the warranty period free of cost, provided that a material or manufacturing defect is the cause. In a warranty case, please contact your dealer (with the purchase receipt) or the next authorised customer service site.
(See overleaf for the address)

Technical data

Electrical connection

Voltage	V	220-240
Phase	~	1
Frequency	Hz	50-60

Current consumption	A	6
Degree of protection		IPX5
Protection class		II

Power protection (slow-blowing)	A	13
---------------------------------	---	----

Water connection

Feed pressure (max.)	MPa	1,2
Input temperature (max.)	°C	40
Input amount (min.)	l/min	7

Device performance data

Operating pressure	MPa	7,4
Max. permissible pressure	MPa	11
Water flow rate	l/min	5,2
Maximum flow rate	l/min	6,0
Detergent flow rate	l/min	0,3
High-pressure gun recoil force	N	11

Dimensions and weights

Typical operating weight	kg	4,1
Length	mm	380
Width	mm	197
Height	mm	248

Determined values in acc. with EN 60335-2-79

Hand-arm vibration value	m/s ²	2,2
Uncertainty K	m/s ²	0,7
Sound pressure level L _{pA}	dB(A)	75
Uncertainty K _{pA}	dB(A)	3
Sound power level L _{WA} + uncertainty K _{WA}	dB(A)	90

Subject to technical modifications.

Declaration of Conformity

EU Declaration of Conformity

We hereby declare that the machine described below complies with the relevant basic safety and health requirements in the EU Directives, both in its basic design and construction as well as in the version placed in circulation by us. This declaration is invalidated by any changes made to the machine that are not approved by us.

Product: High-pressure cleaner

Type: 1.60x-xxx.0

Currently applicable EU Directives

2000/14/EC

2006/42/EC (+2009/127/EC)

2011/65/EU

2014/30/EU

Harmonised standards used

EN 60335-1

EN 60335-2-79

EN IEC 63000: 2018

EN 55014-1: 2017 + A11: 2020

EN 55014-2: 1997 + A1: 2001 + A2: 2008

EN 61000-3-2: 2014

EN 61000-3-3: 2013

EN 62233: 2008

Applied conformity evaluation method

2000/14/EG: Annex V

National standards used

-

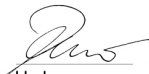
Sound power level dB(A)

K 2 (Premium) Horizontal, K 3 Horizontal

Measured: 87

Guaranteed: 90

The signatories act on behalf of and with the authority of the company management.



H. Jenner

Chairman of the Board of Management



S. Reiser

Manager Regulatory Affairs & Certification

Documentation supervisor:

S. Reiser

Alfred Kärcher SE & Co. KG

Alfred-Kärcher-Str. 28 - 40

71364 Winnenden (Germany)

Ph.: +49 7195 14-0

Fax: +49 7195 14-2212

Winnenden, 2023/07/01

Declaration of Conformity (UK)

We hereby declare that the product described below complies with the relevant provisions of the following UK Regulations, both in its basic design and construction as well as in the version put into circulation by us. This declaration shall cease to be valid if the product is modified without our prior approval.

Product: High-pressure cleaner

Type: 1.60x-xxx.0

Currently applicable UK Regulations

S.I. 2001/1701 (as amended)

S.I. 2008/1597 (as amended)

S.I. 2012/3032 (as amended)

S.I. 2016/1091 (as amended)

Designated standards used

EN 60335-1

EN 60335-2-79

EN IEC 63000: 2018

EN 55014-1: 2017 + A11: 2020

EN 55014-2: 1997 + A1: 2001 + A2: 2008

EN 61000-3-2: 2014

EN 61000-3-3: 2013

EN 62233: 2008

Applied conformity assessment procedure

S.I. 2001/1701 (as amended): Schedule 8

National standards used

-

Sound power level dB(A)

K 2 (Premium) Horizontal, K 3 Horizontal

Measured: 87

Guaranteed: 90

The signatories act on behalf of and with the authority of the company management.



H. Jenner

Chairman of the Board of Management



S. Reiser

Manager Regulatory Affairs & Certification

Documentation supervisor:

S. Reiser

Alfred Kärcher SE & Co. KG

Alfred-Kärcher-Str. 28 - 40

71364 Winnenden (Germany)

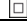
Ph.: +49 7195 14-0

Fax: +49 7195 14-2212

Winnenden, 2023/07/01

البيانات الفنية

توصيل الطاقة

220-240	V	الفلطية
1	~	الطور
50-60	Hz	التردد
6	A	تيار الشحن
IPX5		نوع الحماية
II		فئة الحماية
13	A	مصهر الشبكة (محمول)

وصلة المياه

1,2	MPa	ضغط التدفق (الأقصى)
40	C°	درجة حرارة التدفق (القصوى)
7	l/min	كمية التدفق (الدنيا)

أداء الجهاز

7,4	MPa	ضغط التشغيل
11	MPa	الضغط الأقصى المسموح به
5,2	l/min	كمية الإمداد، المياه
6,0	l/min	كمية الإمداد القصوى
0,3	l/min	كمية الإمداد، مواد التنظيف
11	N	قوة ارتجاع مسدس الضغط العالي

الأبعاد الوزن

4,1	kg	وزن التشغيل النمطي
380	mm	الطول
197	mm	العرض
248	mm	الارتفاع

القيم المسجلة وفقاً للمواصفة EN 60335-2-79

2,2	m/s ²	القيمة الاهتزازية لليد والذراع
0,7	m/s ²	K قيمة الشك
75	dB(A)	مستوى انبعاث الصوت L _{PA}
3	dB(A)	قيمة الشك K _{PA}
90	dB(A)	مستوى قدرة الصوت L _{WA} + قيمة الشك K _{WA}

المواصفات الفنية خاضعة للتعديل.

المساعدة في حالة حدوث خلل

في الغالب تكون للاختلالات أسباب بسيطة يمكنك التغلب عليها ببساطة بالاستعانة بالعرض العام التالي. في حالات الشك أو عند حدوث اختلالات غير مذكورة هنا فيرجى التوجه إلى خدمة العملاء المعتمدة.

⚠️ خطر

خطر الإصابة بصدمة كهربائية

الإصابة بسبب ملامسة أجزاء موصلة للكهرباء قم بإغلاق الجهاز. اسحب قابس الشبكة.

الجهاز لا يعمل

1. ضغط رافعة مسدس الضغط العالي. الجهاز يعمل.
2. التأكد من توافق بيانات الجهد الموجودة على لوحة الطراز مع جهد مصدر التيار.
3. افحص وصلة الكهرباء من حيث وجود أضرار.

الجهاز لا يعمل بالضغط

- الإمداد بالمياه منخفض للغاية.
1. فتح صنبور المياه بالكامل.
 2. قم بفحص الإمداد بالمياه من حيث وجود كمية الإمداد الكافية.
 3. افحص إعدادات أنبوب النفث.
 4. تأكد من عدم تخطي ارتفاع الشفط الأقصى.
- المصفاة في وصلة المياه متسخة.
1. سحب المصفاة في وصلة المياه باستخدام زردية.
 2. تنظيف المصفاة تحت المياه الجارية.

صورة إيضاحية K

يوجد هواء في الجهاز.

1. قم بتفسيح الجهاز:
 - a تشغيل الجهاز دون أنبوب نفث موصل لمدة دقيقتين بحد أقصى.
 - b اضغط على مسدس الضغط العالي، وانتظر حتى تخرج منه المياه دون فقاعات.
 - c توصيل أنبوب النفث.

تقلبات شديدة في الضغط

1. تنظيف فوهة الضغط العالي:
 - a قم بإزالة الترسبات من ثقب الفوهة باستخدام إبرة.
 - b اشطف فوهة الضغط العالي بالمياه من الأمام.
2. فحس كمية الإمداد بالمياه.

الجهاز يسرب

1. وجود تسرب طفيف في الجهاز هو أمر ضروري فنياً. في حالة وجود تسرب كثيف يجب التواصل مع خدمة العملاء المعتمدة.

يجب عدم شطف مواد التنظيف

1. فصل أنبوب النفث الخاص بمسدس الضغط العالي، وتشغيله فقط مع وجود مسدس الضغط العالي.
2. قم بتنظيف الفلتر في خرطوم شفط مواد التنظيف.
3. افحص خرطوم شفط مواد التنظيف بحثاً عن وجود انتشاءات.

الضمان

يسري في كل دولة شروط الضمان التي تضعها شركة التسويق المتخصصة التابعة لنا. نحن نتولى إصلاح الأعطاء التي قد تطرأ على جهازك خلال فترة الضمان بدون مقابل، عندما يكون سبب هذه الأعطال ناجم عن عيب في المواد المستخدمة أو في عملية التصنيع. في حالة استحقاق الضمان، توجه من فضلك بقسيمة الشراء إلى أقرب موزع أو مركز خدمة عملاء معتمد. (العنوان على الصفحة الخلفية)

الحماية من التجمد

تنبيه

خطر التجمد

يمكن أن تلف الأجهزة التي لم يتم تفرغها بشكل كامل تحت تأثير التجمد.

عليك تفرغ الجهاز والملحقات بشكل كامل.

عليك حماية الجهاز من التجمد.

يجب القيام بما يلي:

- فصل الجهاز عن مصدر الإمداد بالمياه.
- خرطوم الضغط العالي مفضول.
1. تشغيل الجهاز "I/ON".
2. انتظر لمدة دقيقة على الأقل لكي لا تخرج أي مياه من وصلة الضغط العالي.
3. إيقاف الجهاز.
4. حفظ الجهاز بملحقاته الكاملة في غرفة مؤمنة محمية من التجمد.

العناية والصيانة

⚠️ خطر

خطر الإصابة بصدمة كهربائية

الإصابة بسبب ملامسة أجزاء موصلة للكهرباء

قم بإغلاق الجهاز.

اسحب قابس الشبكة.

الجهاز ليس به أي عيوب، هذا يعني أنه من غير الضروري أن تقوم بأي أعمال صيانة منتظمة.

تنظيف المصفاة في وصلة المياه

تنبيه

مصفاة متضررة في وصلة المياه

تضرر الجهاز بسبب تلوث المياه

قم بفحص المصفاة قبل تركيبها في وصلة المياه من حيث وجود أضرار بها.

عند الحاجة قم بتنظيف المصفاة في وصلة المياه.

1. نزع الوصلة الخاصة بتوصيل المياه.

2. سحب المصفاة.

3. تنظيف المصفاة تحت المياه الجارية.

صورة إيضاحية K

4. تركيب المصفاة في وصلة المياه.

تنظيف فلتر مواد التنظيف

قم بتنظيف فلتر مواد التنظيف قبل تخزينه لفترة طويلة.

1. سحب الفلتر من خرطوم شفط مواد التنظيف.

2. تنظيف الفلتر تحت المياه الجارية.

صورة إيضاحية L

إيقاف التشغيل

⚠️ تنويه

الضغط في النظام

الإصابة بسبب تيار المياه المتدفقة بضغط عالي بشكل غير متحكم به

لا تفصل خرطوم الضغط العالي من مسدس الضغط العالي أو من الجهاز إلا في حالة عدم وجود ضغط في النظام.

1. تحرير ذراع مسدس الضغط العالي.

2. أغلق صنوبر المياه.

3. ضغط ذراع مسدس الضغط العالي لمدة 30 ثانية.

يتم تبديد الضغط المتبقي في الجهاز.

4. تحرير ذراع مسدس الضغط العالي.

5. قفل ذراع مسدس الضغط العالي.

6. فصل الجهاز عن مصدر الإمداد بالمياه.

7. أطفئ الجهاز "OFF/O".

8. سحب قابس الشبكة من المقبس.

النقل

⚠️ تنويه

عدم مراعاة الوزن

خطر الإصابة وخطر التعرض لأضرار

احرص عند النقل على مراعاة وزن الجهاز.

حمل الجهاز

1. رفع وحمل الجهاز من مقبض الحمل.

نقل الجهاز في السيارة

1. تأمين الجهاز ضد الانزلاق، والانقلاب.

التخزين

⚠️ تنويه

عدم مراعاة الوزن

خطر الإصابة وخطر التعرض لأضرار

احرص عند التخزين على مراعاة وزن الجهاز

حفظ الجهاز

1. قم بلف كابل توصيل التيار الكهربائي في موضع تخزين كابل

توصيل التيار الكهربائي.

2. وضع الجهاز على أرضية مستوية.

3. فصل خرطوم الضغط العالي من مسدس الضغط العالي.

4. فصل أنبوب النفث عن مسدس الضغط العالي.

5. قم بتخزين الملحقات بالجهاز:

a. قم بتثبيت أنبوب الرش مع فوهة الضغط العالي في موضع تخزين أنبوب الرش.

b. ادفع مسدس الضغط العالي في جراب الحفظ الخاص به.

صورة إيضاحية J

6. افصل خرطوم الضغط العالي من الجهاز.

قبل فترات التخزين الطويلة، يرجى مراعاة الإرشادات الإضافية،

انظر فصل العناية والصيانة.

التشغيل

16) * خرطوم حديقة (مقوى بالنسيج، قطره لا يقل عن 1/2 بوصة (13 مم)، بطول 7,5 متر على الأقل، مع قارئة سريعة متوفرة تجارياً)

17) توصيل وصلة المياه

18) مصفاة

19) وصلة إمداد الماء

20) خرطوم شفط لمواد التنظيف

21) فلتر مواد التنظيف

** ضروري بشكل إضافي

تنبيه

المضخة تدور دون مياه

تضرر الجهاز
إذا لم يكون الجهاز أي ضغط في غضون دقيقتين، قم إذاً بغلاق الجهاز. واتبع التعليمات الواردة في فصل المساعدة في حالة حدوث خلل.

تنبيه

عدم مراعاة وضع الجهاز

تضرر المضخة
تشغيل الجهاز وهو مطروح أرضاً (في وضع أفقي).

التشغيل بالضغط العالي

تنبيه

تضرر السطح الحساس أو المطلي

تعرض الأسطح للضرر بسبب المسافة القليلة لشعاع النفاث، أو عن طريق اختيار أنبوب نفث غير مناسب.
حافظ على مسافة 30 سم على الأقل في حالة تنظيف الأسطح المطلية.

لا تقم بتنظيف إطارات السيارات، أو الطلاء، أو الأسطح الحساسة مثل الخشب باستخدام ساحق الاتساخات.

1. أدخل أنبوب النفث في مسدس الضغط العالي وتبته من خلال إدارته بزاوية 90°.
2. صورة إيضاحية G
3. تشغيل الجهاز ("I/ON").
4. فتح رافعة مسدس الضغط العالي.
5. ضغط رافعة مسدس الضغط العالي.
6. الجهاز يعمل.

التشغيل باستخدام مواد التنظيف

⚠ خطر

عدم مراعاة صفحة بيانات السلامة

أضرار صحية جسيمة بسبب استخدام المنظفات بشكل غير صحيح.
احرص على مراعاة منشور بيانات السلامة الصادر عن الجهة الصانعة لمواد التنظيف، ولا سيما إرشادات تجهيزات الحماية الشخصية.

إرشاد

مواد تنظيف من KÄRCHER تضمن تنفيذ الأعمال دون اختلالات.
يرجى طلب المشورة أو الكatalog الخاص بنا أو منشورات معلومات مواد التنظيف.

إرشاد

يمكن خلط مواد التنظيف فقط مع درجات الضغط المنخفضة.

1. قم بسحب خرطوم الشفط الخاص بمواد التنظيف بالطول المرغوب به من المبيت.
2. صورة إيضاحية H
3. قم بتعليق خرطوم شفط مواد التنظيف في الخزان المزود بمحلول مواد التنظيف.
4. فصل أنبوب النفث الخاص بمسدس الضغط العالي، وتشغيله فقط مع وجود مسدس الضغط العالي.
5. أثناء التشغيل يتم خلط محلول مواد التنظيف مع شعاع المياه.

طريقة التنظيف الموصى بها

1. رش المنظف باقتضائية على السطح الجاف واتركه ليظهر أثره (لا يجف).
2. اشطف الاتساخات المحررة بتيار الضغط العالي.

بعد التشغيل مع مواد التنظيف

1. اشطف الجهاز لمدة حوالي 30 ثانية بالمياه النقية.

قطع عملية التشغيل

1. تحرير ذراع مسدس الضغط العالي.
2. عند تحرير الذراع، يتم غلق الجهاز يتم الحفاظ على الضغط العالي في النظام.
3. قفل ذراع مسدس الضغط العالي.
4. صورة إيضاحية I
5. عند فترات التوقف عن العمل لمدة تزيد عن 5 دقائق اغلق الجهاز "OFF/O".

التركيب

للاشكال، انظر صفحة الصور.

قبل بدء التشغيل يجب تركيب الأجزاء المرفقة بالجهاز. إعداد البراغى المرفقة، والمفك المناسب لذلك.

تركيب موضع تخزين مسدس الضغط العالي

1. قم بتوصيل موضع تخزين مسدس الضغط العالي بالجهاز باستخدام كلا السمدارين.

صورة إيضاحية B

تركيب التوصيلات الخاصة بوصلة المياه

1. ربط التوصيلات الخاصة بوصلات المياه في موضع وصلات المياه بالجهاز.

صورة إيضاحية C

بدء التشغيل

1. وضع الجهاز على أرضية مستوية.
2. قم بفرد خرطوم الضغط العالي وتفكيك أي عروات أو التواءات محتملة.
3. قم بتوصيل خرطوم الضغط العالي بالجهاز.
a اسحب المشبك الموجود على أداة التوصيل (القارئة) لأعلى.
b أدخل خرطوم الضغط العالي في أداة التوصيل (القارئة).
c اضغط المشابك الموجودة أداة التوصيل (القارئة) لأسفل.

صورة إيضاحية D

4. قم بتوصيل خرطوم الضغط العالي بمسدس الضغط العالي.
a اضغط على المشابك.
b اسحب المشابك للخارج.
c أدخل خرطوم الضغط العالي.
d ضغط المحبس حتى سماع صوت تتيته.

صورة إيضاحية E

5. التوصيل الآمن للسحب من خرطوم الضغط العالي.
6. إدخال قابس الشبكة في المفيس.

الإمداد بالمياه

لمعرفة قيم التوصيل انظر لوحة الصنع أو فصل البيانات الفنية.
مراعاة تعليمات مؤسسة التزويد بالمياه.

تنبيه

الأضرار بسبب المياه الملوثة

الاتساخات في المياه قد تؤدي إلى تضرر المضخة والملحقات.
لتوفير الحماية توصي KÄRCHER باستخدام فلتر المياه طراز KÄRCHER (الملحقات الخاصة، رقم الطلب 4.730059).

التوصيل بصنوبر المياه

تنبيه

قارئة خرطوم مع جهاز Aquastop بوصلة مياه الجهاز

تضرر المضخة
لا تستخدم أبداً قارئة خرطوم مع جهاز Aquastop بوصلة مياه الجهاز.

يمكنك استخدام قارئة جهاز Aquastop على حنفية المياه.

1. إدخال خرطوم الحديدية في التوصيلة الخاصة بوصلة المياه.
2. توصيل خرطوم الحديدية بصنوبر المياه.

صورة إيضاحية F

3. فتح صنوبر المياه بالكامل.

حماية البيئة



المواد المستخدمة في التنظيف قابلة لإعادة التدوير. يرجى التخلص من مواد التنظيف بطريقة تحافظ على البيئة.



تحتوي الأجهزة الكهربائية والإلكترونية على مواد قيمة قابلة لإعادة التدوير وغالباً ما تحتوي أيضاً على مكونات مثل البطاريات، أو المرآكات أو الزيوت والتي قد تشكل خطورة



على صحة الإنسان والبيئة في حالة التعامل معها بشكل غير صحيح أو إذا تم التخلص منها بصورة خاطئة. إلا أن هذه المكونات



ضرورية لتشغيل الجهاز بصورة سليمة. لا يجوز التخلص من الأجهزة



المميزة بهذا الرمز مع النفايات المنزلية.



أعمال التنظيف التي يتكون فيها مياه عادمة تحتوي على زيوت، مثل غسل المحركات، وغسل الهيكل السفلي، لا يسمح



بإجراءها إلا في أماكن الغسل المزودة بفاصل للزيت. لا يسمح بالعمل باستخدام مواد التنظيف إلا في أماكن العمل

غير المنفذة للسوائل مع وجود وصلة بقناة المياه المتسخة. لا يسمح بوصول مواد التنظيف إلى المياه أو إلى التربة السطحية.

إرشادات حول مواد المحتويات (REACH)

تجد المعلومات الحالية حول المحتويات على الموقع:

www.kaercher.de/REACH

الاستخدام المطابق للتعليمات

استخدم منظفات الضغط العاليي للاستعمال المنزلي فقط.

منظفات الضغط العاليي مخصصة لتنظيف الماكينات والسيارات والمباني والعدد والواجهات والشرفات ومعدات الحدائق وغيرها وذلك باستخدام الضغط العاليي لشعاع المياه.

الملحقات التكميلية وقطع الغيار

استخدم الملحقات التكميلية الأصلية وقطع الغيار الأصلية فقط، والتي تضمن تشغيل الجهاز بشكل آمن وخالٍ من الاختلالات.

تجد المعلومات الخاصة بالملحقات التكميلية وقطع الغيار على الموقع www.kaercher.com.

محتوى التسليم

محتوى تسليم الجهاز مصور على العبوة. تأكد من وجود جميع محتويات العبوة عند فتحها. وفي حالة نقص أية ملحقات تكميلية أو اكتشاف أي تلف بها ناتج عن عملية النقل، يرجى إخطار البائع.

وصف الجهاز

الاشكال، انظر صفحة الصور

صورة إيضاحية A

- 1) موضع تخزين كابل توصيل الكهرباء
- 2) موضع تخزين مسدس الضغط العالي
- 3) وصلة الشبكة مع قابس الشبكة
- 4) أنبوب نفث مزود بشفة ضغط عالي لمهام التنظيف العادية
- 5) مسدس الضغط العالي
- 6) مشبك لفصل خرطوم الضغط العاليي من مسدس الضغط العاليي
- 7) ذراع مسدس الضغط العاليي
- 8) قفل مسدس الضغط العاليي
- 9) خرطوم الضغط العاليي
- 10) موضع تخزين أنبوب الرش
- 11) مقبض النقل
- 12) أدر مفتاح الجهاز إلى الوضع "OFF" / "I/ON/O"
- 13) لوحة الطراز
- 14) القارئة السرعة لوصلة الضغط العاليي
- 15) براغي

التشغيل باستخدام مادة تنظيف

⚠ تحذير • يمكن أن يؤدي استعمال مواد التنظيف غير الصحيحة إلى حدوث إصابات خطيرة أو إلى حدوث التسمم.

⚠ تنويه • خزن مواد التنظيف بعيداً عن متناول الأطفال.

• استخدم مواد التنظيف الموردة مع الجهاز والتي تنصح بها الجهة الصانعة فقط. استخدام مواد التنظيف الأخرى أو المواد الكيميائية يمكن أن تضر بسلامة الجهاز.

العناية والصيانة

⚠ تحذير • أفضل الفاس الكهربائي قبل إجراء أي أعمال الصيانة والعناية.

⚠ تنويه • عليك إجراء أعمال الإصلاح أو الأعمال الأخرى على القطع الكهربائية من قبل مركز خدمة معتمدة فقط.

تنبيه • لا تستخدم مادة الأسيتون أو مواد حمضية غير مخففة أو مواد مذيبة لأن هذه المواد ستضر بالمواد المستخدمة في الجهاز.

الشحن

⚠ تنويه

• خطر الحوادث والإصابة. عليك مراعاة وزن الجهاز عند عملية الشحن والتخزين، انظر فصل البيانات الفنية في دليل التشغيل.

تعليمات السلامة العامة

⚠ خطر • خطر الاختناق. يجب عليك إبعاد أكياس التعبئة والتنظيف عن متناول الأطفال.

⚠ تحذير • استخدم الجهاز وفقاً للعرض المحدد له فقط. عليك مراعاة الظروف المحيطة والانتباه عند استخدام الجهاز إلى الأشخاص الآخرين وخاصة الأطفال منهم. • يسمح للأشخاص الذين لديهم قدرات بدنية أو حسية أو عقلية محدودة أو الذين لا

تتوافر لديهم الخبرة والمعرفة الكافية، أن يستخدموا الجهاز بشرط الإشراف عليهم بشكل صحيح، أو إذا تم بعد حصولهم على تعليمات

بشأن كيفية الاستخدام الآمن للجهاز من قبل شخص مسؤول عن سلامتهم ومعرفتهم بالمخاطر المرتبطة به. • لا يسمح للأطفال

بتشغيل الجهاز. • يجب مراقبة الأطفال للتأكد من عدم لعبهم بالجهاز.

⚠ تنويه • تجهيزات السلامة تخدم حمايتك. لا تقم بتغيير أو تجاوز تجهيزات السلامة أبداً.

تجهيزات السلامة

⚠ تنويه

تجهيزات السلامة الثالثة أو المتغيرة

تجهيزات السلامة تخدم حمايتك.

لا تعبت بتجهيزات السلامة أو تزيلها أو تجعلها غير فعالة.

مفتاح الجهاز

مفتاح الجهاز يمنع تشغيل الجهاز دون قصد.

قفل مسدس الضغط العاليي

القفل يحجب الرافعة، ومسدس الضغط العاليي، ويمنع بدء تشغيل الجهاز دون قصد.

وظيفة الإيقاف التلقائي

عند تحرير الرافعة مع مسدس الضغط العاليي، يوقف مفتاح الضغط المضخة، ويوقف شعاع الضغط العاليي. عند الضغط على الذراع، يتم تشغيل المضخة ثانية.

رموز على الجهاز

لا توجه شعاع الضغط العاليي على الأشخاص، أو الحيوانات، أو أي معدات كهربائية فعالة أو على الجهاز نفسه.



حماية الجهاز من التجمد.

لا يسمح بتوصيل الجهاز مباشرة بشبكة مياه الشرب العامة.



المحتويات

11	إرشادات السلامة
12	تجهيزات السلامة
12	رموز على الجهاز
12	حماية البيئة
12	الاستخدام المطابق للتعليمات
12	الملحقات التكميلية وقطع الغيار
12	محتوى التسليم
12	وصف الجهاز
13	التركيب
13	بدء التشغيل
13	التشغيل
14	النقل
14	التخزين
14	العناية والصيانة
14	المساعدة في حالة حدوث خلل
15	الضمان
15	البيانات الفنية

تستخدم الجهاز عند وجود تلف فيه. قم بتغيير الأجزاء التالفة فوراً.
 • استخدم خراطيم الضغط العالي والتجهيزات والنفارات التي تصنع بها الجهة الصانعة. • خطر الاحتراق. عند فصل مدخل الخرطوم أو خرطوم الضغط العالي يمكن أن يخرج ماء ساخن من الوصلات بعد التشغيل.

⚠ **تنويه** • لا تستخدم الجهاز أبداً بدون قاطع للنظام بشبكة مياه الشرب وفقاً للوائح السارية. تأكد من أن وصلة الشبكة المائية بمنزلك التي تم توصيلها بجهاز التنظيف بالضغط العالي مزودة بفاصل للنظام وفقاً لمعيار EN 12729 Typ BA. • الماء التي تمر عن طريق فاصل النظام لا تصلح بعد ذلك للشرب. • لا تترك الجهاز دون مراقبة أبداً طالما يكون مشغلاً. • يتم عن طريق المياه الخارجة من فوهة الضغط العالي توليد قوة ارتدادية بمسدس الضغط العالي. قم بتأمين مكان وقوفك بشكل آمن وامسك مسدس الضغط العالي وأنبوب الشعاع بشكل ثابت. • حوادث وأضرار ناجمة عن سقوط الجهاز. يجب عليك ضمان السلامة قبل إجراء أي عمل على الجهاز أو قبل استخدام الجهاز.

⚠ **تنبيه** • لا تستخدم الجهاز عندما تكون درجات الحرارة تحت 0° مئوية.

معدات الحماية الشخصية

⚠ **تنويه** • ارتدي ملابس واقية مناسبة ونظارة واقية لحماية نفسك من رذاذ الماء والأوساخ المطايرة. • يمكن أن يتساقط هباء جوي/البروسول أثناء استعمال جهاز التنظيف بالضغط العالي. يمكن أن يؤدي استنشاق الهباء الجوي إلى حدوث أضرار صحية. اعتماداً على نوع الاستعمال، يمكن أن يساعد استعمال فوّهة محمية بالكامل (منظف سطحي مثلًا) في تقليل انبعاث الهباء الجوي بشكل كبير. ارتدي تعال للكان المراد تنظيفه، قناع واقٍ للهباء من فئة FFP 2 أو ما يعادلها لحماية نفسك من استنشاق الهباء الجوي عندما يكون استعمال فوّهة محمية بالكامل غير ممكناً.

خطر الصعق الكهربائي

⚠ **خطر** • قم بتوصيل أجهزة فئة الحماية I بمصادر التيار الكهربائي المارضة بشكل سليم فقط. • قم بتوصيل الجهاز بتيار متردد فقط. يجب أن يتوافق الجهد الموجود على لوحة الطراز مع جهد مصدر التيار. • استخدم الجهاز عن طريق قاطع الدائرة الكهربائية فقط (30 مللي أمبير حد أقصى). • لا تلمس القابض الكهربائي والمقبس بأيدي مبللة بالماء نهائياً. • يجب أن يكون القابض الكهربائي وفارته كابل التمديد الكهربائي مقاومة ضد الماء ولا يسمح بوضعهما في الماء. لا يسمح بوضع الفارته على الأرض. استخدم بكرات الكابلات الكهربائي التي تتضمن تواجد القوابض الكهربائي بقدرة 60 مم فوق الأرض على الأقل. • يجب أن تكون جميع الأجزاء الموصلة للتيار الكهربائي في مكان العمل محمية من أشعة الماء.

⚠ **تحذير** • قم بتوصيل الجهاز بوصلة كهربائية يكون تم شرائها من متجر متخصص ببيع الأجهزة الكهربائية وفقاً لمعيار IEC 60364-1. • تأكد قبل كل استخدام للجهاز من عدم وجود تلف في كابل التيار الكهربائي والقابض. عند تعرض كابل التيار الكهربائي للتلف، يجب استبداله على الفور عن طريق الشركة المصنعة، أو مركز خدمة العملاء المعتمد، أو كهربائي متخصص، وذلك لتجنب أي مخاطر. • لا تقم بالحاق أضرار أو إتلاف كابل التوصيل الكهربائي وكابل التمديد الكهربائي عن طريق الدق، سحق، التمدد أو فعل شيء به من هذا القبيل. قم بحماية كابل التوصيل الكهربائي من الحرارة، الزيت والحواف الحادة. • كابلات التمديد الكهربائي غير المناسبة يمكن أن تكون مصدر للخطر. استخدم في زالهواء المطبق لذلك كابلات التمديد الكهربائي المرخصة والمميزة ومزودة بمقطع عرضي للكابل كافي: 10-1 م: 1,5 م²، 10-30 م: 2,5 م²
 ⚠ **تنويه** • فلت كابل التمديد الكهربائي دائماً بشكل كامل من بكره الكابل الكهربائي. • يجب عند التوقف عن العمل لفترة استراحة طويلة وبعد الاستخدام إيقاف الجهاز عن طريق المفتاح الرئيسي / مفتاح الجفاف وكذلك فصل القابض الكهربائي أيضاً.

إرشادات السلامة



اقرأ فصل السلامة هذا ودليل التشغيل الأصلي هذا أيضاً قبل استخدام الجهاز لأول مرة. تم تصريف طبقاً لذلك. حافظ على دليل التشغيل الأصلي للاستخدام لاحقاً أو تسليمه للمالك التالي.

- عليك إلى جانب الإرشادات الواردة في دليل التشغيل مراعاة القواعد العامة للسلامة والوقاية من الحوادث والتي يحددها المشرع القانوني.
- تشير علامات الإرشاد والتحذير الموجودة على الجهاز إلى الإرشادات الهامة للتشغيل الآمن.

درجات الخطر

⚠ خطر

- إشارة إلى خطر مباشر وشيك الحدوث وقد يؤدي إلى إصابات جسدية بالغة أو إلى الوفاة.

⚠ تحذير

- إشارة إلى موقف قد تحفه المخاطر وقد يؤدي إلى إصابات جسدية بالغة أو إلى الوفاة.

⚠ تنويه

- إشارة إلى موقف قد تحفه المخاطر وقد يؤدي إلى إصابات بسيطة.

تنبيه

- إشارة إلى موقف قد تحفه المخاطر وقد يؤدي إلى حدوث أضرار مادية.

التشغيل

⚠ **خطر** • يمنع منعاً باتاً التشغيل في المناطق القابلة للانفجار.
 • لا تقم بشفط مواد مذيبة أو سوائل تحتوي على مواد مذيبة أو مواد حمضية غير مخففة أبداً. وهذه تشمل على سبيل المثال البنزين، مواد إضافية للالوان أو وقود التدفئة. الرذاذ قابل للاشتعال والانفجار وسام. • إطارات السيارات التالفة/اصمامات الاطارات تشكل مصدر خطر على الحياة. إطارات السيارات/اصمامات الاطارات يمكن أن تنضرب أو تنفجر عن طريق استخدام شعاع الضغط العالي. أول علامة على ذلك هو تغيير لون الاطار. عليك المحافظة على مسافة 30 سم على الأقل من الشعاع عند تنظيف السيارة عن اطارات السيارة / صمامات الاطارات.

⚠ **تحذير** • لا تستخدم الجهاز بالقرب من تواجد أشخاص آخرين لا يرتدون ملابس وقاية مناسبة. • لا توجه شعاع الضغط العالي على نفسك مثلاً على ملابسك أو حذائك لتنظيفه. • لا توجه شعاع الضغط العالي على الأشخاص، الحيوانات، معدات كهربائية فعالة أو على الجهاز نفسه. • لا تقوم برش أي أشياء تحتوي على مواد ضارة بالصحى (الأسبست مثلاً). • تأكد قبل كل استخدام من أن الجهاز وملحقاته في حالة سليمة وآمنة للتشغيل مثلًا خرطوم الضغط العالي، مسدس الضغط العالي وتجهيزات السلامة أيضاً. لا



THANK YOU!
MERCI! DANKE! ¡GRACIAS!



Registrieren Sie Ihr Produkt und profitieren Sie von vielen Vorteilen.

Register your product and benefit from many advantages.

Enregistrez votre produit et bénéficiez de nombreux avantages.

Registre su producto y aproveche de muchas ventajas.

www.kaercher.com/welcome



Bewerten Sie Ihr Produkt und sagen Sie uns Ihre Meinung.

Rate your product and tell us your opinion.

Évaluer votre produit et dites-nous votre opinion.

Reseñe su producto y díganos su opinión.



www.kaercher.com/dealersearch

Alfred Kärcher SE & Co. KG

Alfred-Kärcher-Str. 28-40

71364 Winnenden (Germany)

