

# GAZELLE<sup>®</sup>

## **GW7010** Orbital Sander User Manual



# GENERAL POWER TOOL SAFETY

## WARNINGS



**WARNING!** Read all safety warnings, instructions, illustrations and specifications provided with this power tool. Failure to follow all instructions listed below may result in electric shock, fire and/or serious personal injury.

Save all warnings and instructions for future reference. The term "power tool" in the warnings refers to your mains-operated (corded) power tool or battery-operated (cordless) power tool.

### 1) Work Area Safety

- a) **Keep work area clean and well lit.** Cluttered or dark areas invite accidents.
- b) **Do not operate power tools in explosive atmospheres, such as in the presence of flammable liquids, gases or dust.** Power tools create sparks which may ignite the dust or fumes.
- c) **Keep children and bystanders away while operating a power tool.** Distractions can cause you to lose control.

### 2) Electrical Safety

- a) **Power tool plugs must match the outlet. Never modify the plug in any way. Do not use any adapter plugs with earthed (grounded) power tools.** Unmodified plugs and matching outlets will reduce risk of electric shock.
- b) **Avoid body contact with earthed or grounded surfaces, such as pipes, radiators, ranges and refrigerators.** There is an increased risk of electric shock if your body is earthed or grounded.
- c) **Do not expose power tools to rain or wet conditions.** Water entering a power tool will increase the risk of electric shock.
- d) **Do not abuse the cord. Never use the cord for carrying, pulling or unplugging the power tool. Keep cord away from heat, oil, sharp edges or moving parts.** Damaged or entangled cords increase the risk of electric shock.
- e) **When operating a power tool outdoors, use an extension cord suitable for outdoor use.** Use of a cord suitable for outdoor use reduces the risk of electric shock.
- f) **If operating a power tool in a damp location is unavoidable, use a residual current device (RCD) protected supply.** Use of an RCD reduces the risk of electric shock.

### 3) Personal Safety

- a) **Stay alert, watch what you are doing and use common sense when operating a power tool. Do not use a power tool while you are tired or under the influence of drugs, alcohol or medication.** A moment of inattention while operating power tools

may result in serious personal injury.

- b) **Use personal protective equipment. Always wear eye protection.** Protective equipment such as a dust mask, non-skid safety shoes, hard hat or hearing protection used for appropriate conditions will reduce personal injuries.
  - c) **Prevent unintentional starting. Ensure the switch is in the off-position before connecting to power source and/or battery pack, picking up or carrying the tool.** Carrying power tools with your finger on the switch or energising power tools that have the switch on invites accidents.
  - d) **Remove any adjusting key or wrench before turning the power tool on.** A wrench or a key left attached to a rotating part of the power tool may result in personal injury.
  - e) **Do not overreach. Keep proper footing and balance at all times.** This enables better control of the power tool in unexpected situations.
  - f) **Dress properly. Do not wear loose clothing or jewellery. Keep your hair and clothing away from moving parts.** Loose clothes, jewellery or long hair can be caught in moving parts.
  - g) **If devices are provided for the connection of dust extraction and collection facilities, ensure these are connected and properly used.** Use of dust collection can reduce dust-related hazards.
  - h) **Do not let familiarity gained from frequent use of tools allow you to become complacent and ignore tool safety principles.** A careless action can cause severe injury within a fraction of a second.
- ### 4) Power Tool Use and Care
- a) **Do not force the power tool. Use the correct power tool for your application.** The correct power tool will do the job better and safer at the rate for which it was designed.
  - b) **Do not use the power tool if the switch does not turn it on and off.** Any power tool that cannot be controlled with the switch is dangerous and must be repaired.
  - c) **Disconnect the plug from the power source and/or remove the battery pack, if detachable, from the power tool before making any adjustments, changing accessories, or storing power tools.** Such preventive safety measures reduce the risk of starting the power tool accidentally.
  - d) **Store idle power tools out of the reach of children and do not allow persons unfamiliar with the power tool or these instructions to operate the power tool.** Power tools are dangerous in the hands of untrained users.
  - e) **Maintain power tools and accessories. Check for misalignment or binding of moving parts, breakage of parts and any other condition that may affect the power tool's operation. If damaged, have the power tool repaired**

before use. Many accidents are caused by poorly maintained power tools.

- f) **Keep cutting tools sharp and clean.** Properly maintained cutting tools with sharp cutting edges are less likely to bind and are easier to control.
- g) **Use the power tool, accessories and tool bits etc. in accordance with these instructions, taking into account the working conditions and the work to be performed.** Use of the power tool for operations different from those intended could result in a hazardous situation.
- h) **Keep handles and grasping surfaces dry, clean and free from oil and grease.** Slippery handles and grasping surfaces do not allow for safe handling and control of the tool in unexpected situations.

#### 5) Service

- a) **Have your power tool serviced by a qualified repair person using only identical replacement parts.** This will ensure that the safety of the power tool is maintained.

#### UK power plug warnings:

Your product is fitted with an BS 1363-1 approved electric plug with internal fuse approved to BS 1362. If the plug is not suitable for your socket, it should be removed and an appropriate plug should be fitted in its place by an authorized customer service agent. The replacement plug should have the same fuse rating as the original plug.

The severed plug must be disposed of to avoid a possible shock hazard and should never be inserted into a mains socket elsewhere.

#### Symbol



WARNING



To reduce the risk of injury, user must read instruction manual



Class II tool

---

## Technical Data

This product is a hand-held orbital sander powered by single phase series motor.

This product is suitable for micro grinding, correction and other operations on the surfaces of wood and metal materials under general environmental conditions.

The performance parameters of this product are shown in the table below:

Model		GW7010
Rated Power Input	W	240
Orbits Frequency	.../min	14000
Pad Size	mm	110X100
Net Weight	kg	1.2

※ Due to the continuing program of research and development, the specifications herein are subject to change without prior notice.

#### Standard Accessories

**Note:** The accessories shown on the figures, tables or instructions are not all included in the scope of supply.

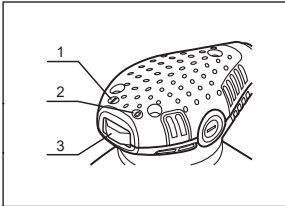
## Instructions for Operation

**Caution:** Always be sure that the tool is switched off and unplugged before attempting to perform adjustment or inspection.

### Switch Operation

To start the tool, slide the switch to the "1" position.  
To top the tool, slide the switch to the "0" position.

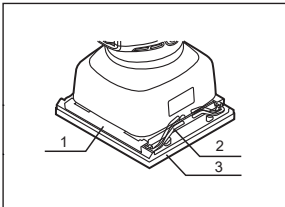
**Caution:** Before plugging in the tool, always check to see that the tool is switched off.



1. I ON
2. 0 OFF
3. Switch

### Installing or Removing Abrasive Paper

As shown, pull the control lever upwards to release the lock of clamp, then insert the paper end into the clamping part, and align the edges of abrasive paper, which should be flat, parallel to the side of the base (Pre-bending paper makes operation easier). Once paper mounted in place, please pull the clamp lever to the original position. Repeat the same process for the other end of the base, maintaining the proper paper tension. After inserting the abrasive paper, please be sure that the clamping part pressed. Otherwise the paper will loose and sliding, and lead to uneven of sanding operation.



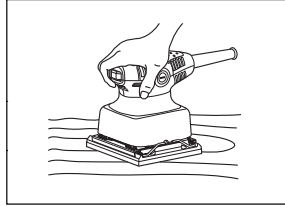
1. Clamping Part
2. Control Lever
3. Baseplate Component

### Sanding Operation

As below, hold the tool firmly. Turn the tool on and wait until it attains full speed. Then gently place the tool on the workpiece surface. Generally, the tool only applies to micro grinding for the surface of workpieces. The grinding quality is more important than the grinding amount and grinding rate. Thus, do not apply strong pressure to grind. Keep the baseplate aligned over the workpieces. Good finish can be obtained on the furniture or fine surface if put a cloth under the workpieces.

### Cautions:

1. Never plug up the air outlet with your fingers or hand.
2. Never run the tool without the abrasive paper. You may seriously damage the pad.
3. This tool is not waterproof, and do not use water on the workpiece.

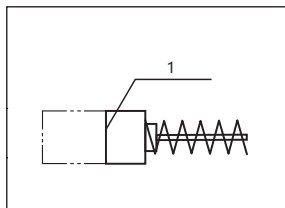


## Maintenance and Care

**Caution:** Always be sure that the tool is switched off and unplugged before attempting to perform inspection or maintenance.

### Check the carbon brushes

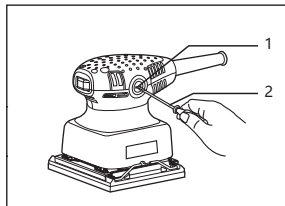
The carbon brush is a vulnerable part. Remove and check the carbon brushes regularly. Replace when they wear down to the limit mark. Keep the carbon brushes clean and free to slip in the holders. Both carbon brushes should be replaced at the same time.



1. Limit Mark

### Replace the Carbon Brushes

Use a screwdriver to remove the brush cover, take out the worn carbon brush and replace a new one, and then tighten the brush cover securely.



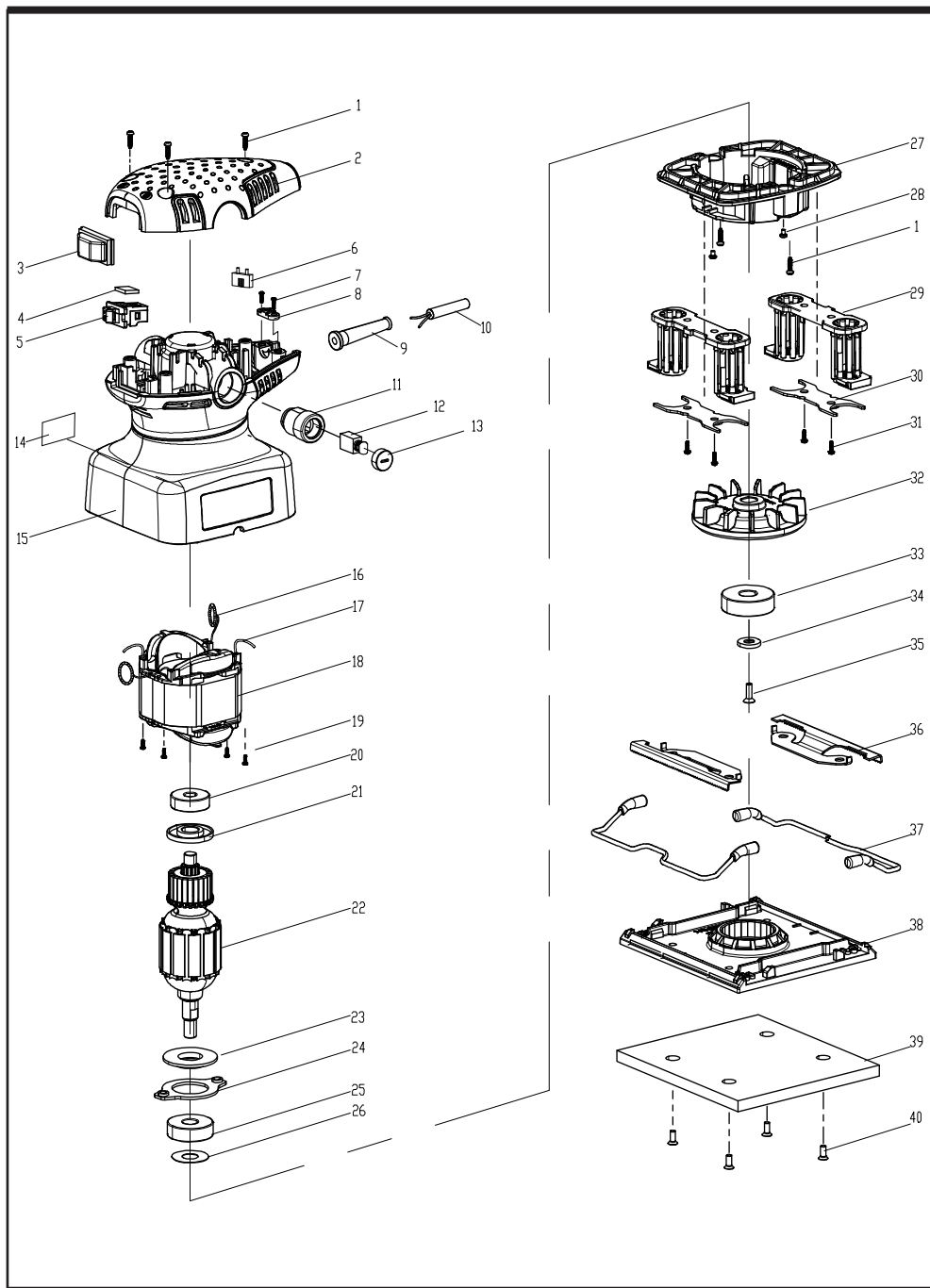
1. Brush Cover
2. Screwdriver

The air inlet and air outlet of the tool should be cleaned regularly or at any time when it is blocked.

If the replacement of the supply cord is necessary, this has to be done by the manufacturer or his agent in order to avoid a safety hazard.

## EXPLANATION OF GENERAL VIEW

1	Cross Recessed Pan Head Tapping Screw	21	Insulation Washer
2	Upper Cover	22	Armature
3	Switch Dirt-Proof Boot	23	Insulation Washer
4	Switch Rubber Pad	24	Bearing Flange
5	Switch	25	Rolling Bearing
6	Terminal Block	26	Bearing Shim
7	Cross Recessed Pan Head Tapping Screw	27	Middle Cover
8	Strain Relief	28	Cross Recessed Pan Head Screw
9	Cord Guard	29	Vibrating Grid
10	Cord	30	Vibrating Grid Flange
11	Brush Holder Assembly	31	Cross Recessed Pan Head Screw
12	Carbon Brush	32	Eccentricity Fan
13	Brush Cover	33	Rolling Bearing
14	Nameplate	34	Washer
15	Motor Housing	35	Cross Recessed Countersunk Head Screw
16	Conducting Ring Assembly	36	Clamping Element
17	Lead Wire	37	Control Lever
18	Stator	38	Plastic Base
19	Cross Recessed Pan Head Tapping Screw	39	Foam Baseplate
20	Rolling Bearing	40	Cross Recessed Countersunk Head Screw



INNOVATION  
PERFORMANCE  
SAFETY  
CONFIDENCE  
GAZELLE

**GAZELLE**

[sales@gazelleindustrial.com](mailto:sales@gazelleindustrial.com) | [www.gazelleindustrial.com](http://www.gazelleindustrial.com)